

4

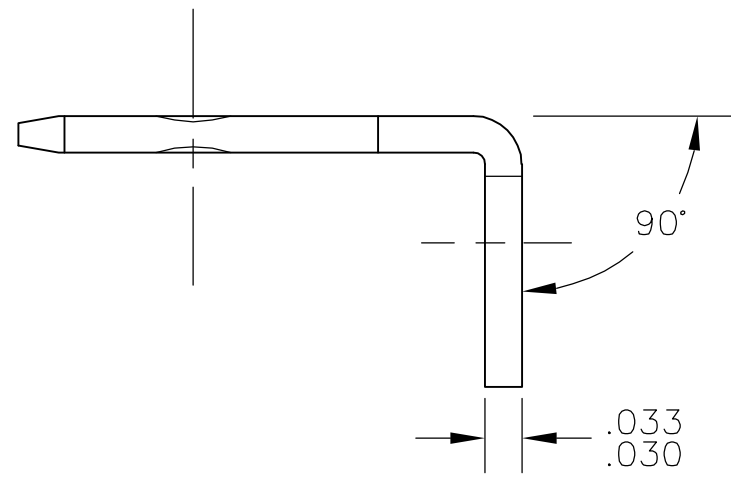
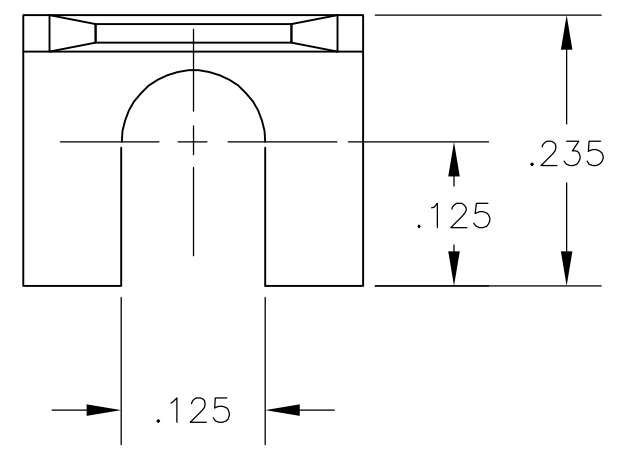
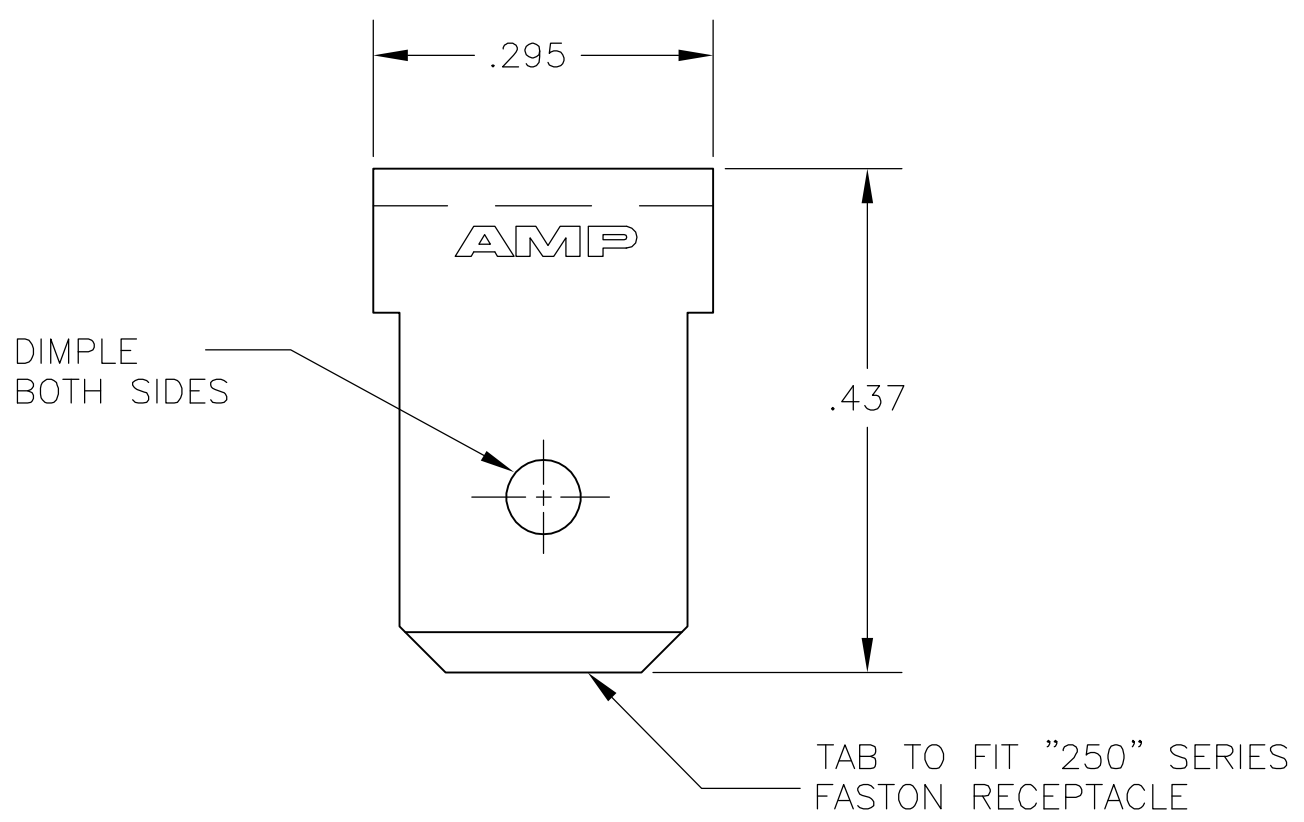
3

2

1

THIS DRAWING IS UNPUBLISHED. RELEASED FOR PUBLICATION
 © COPYRIGHT - BY TYCO ELECTRONICS CORPORATION. ALL RIGHTS RESERVED.

LOC	DIST	REVISIONS					
AF	50	P	LTR	DESCRIPTION	DATE	DWN	APVD
			E	REV PER ECR-05-017287	11APR06	HMR	JR



PLAIN	41398
FINISH	PART NO

THIS DRAWING IS A CONTROLLED DOCUMENT.		DWN RAGHAVENDRA 4/11/06	Tyco Electronics Corporation Harrisburg, PA 17105-3608	
DIMENSIONS: INCHES		CHK MS FEHER 10/9/91		
TOLERANCES UNLESS OTHERWISE SPECIFIED:		APVD R BEAVER 10/9/91	NAME .250 SERIES FASTON TAB	
0 PLC ± - 1 PLC ± - 2 PLC ± .015 3 PLC ± - 4 PLC ± - ANGLES ± 1°		PRODUCT SPEC -	SIZE CAGE CODE DRAWING NO RESTRICTED TO	
MATERIAL .033/.030 BRASS		APPLICATION SPEC -	A3 00779 C-41398	
FINISH SEE TABLE		WEIGHT -	CUSTOMER DRAWING SCALE 6:1 SHEET 1 OF 1 REV E	